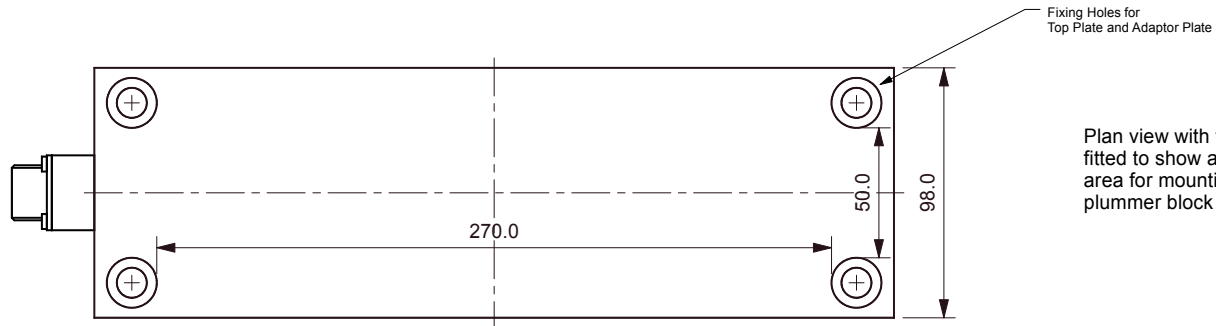
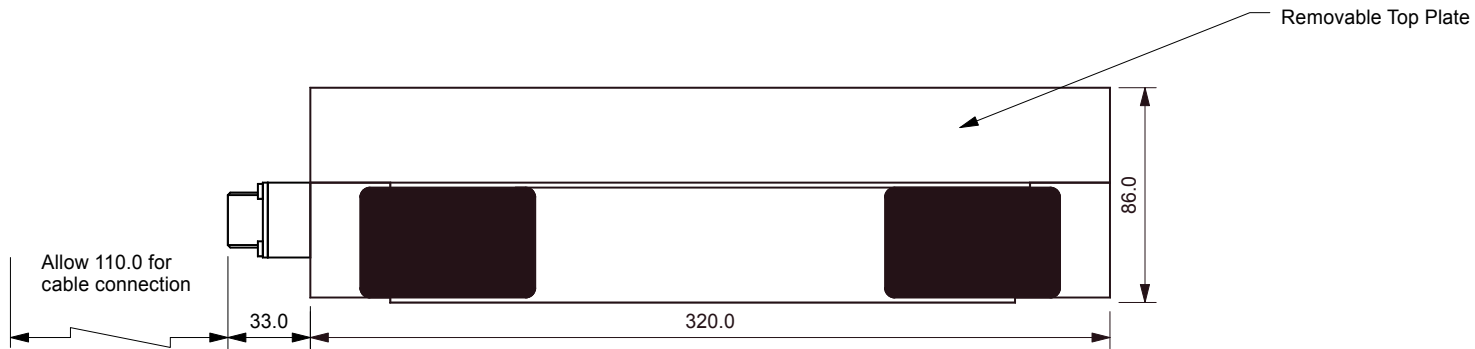


Plan view with top plate removed to show transducer fixing centres

Recommended fixing screw:
M12 cap screw minimum length 50.0



Plan view with top plate fitted to show available area for mounting of plummer block



Issue 1	20/12/03	Initial Layout	TTS Systems	TITLE FLATBED TRANSDUCER SIZE 2 GENERAL ARRANGEMENT	Drawn By	Date	Approved	Date	Scale	Projection	Third Angle
Issue 2	XX/XX/XX	XXXXXXXXXXXXXXXXXXXX	14 Highpoint Business Village		CJ	20/12/03	XXX	XX/XX/XX	N.T.S	Tolerance	+/-0.1 unless otherwise stated
Issue 3	XX/XX/XX	XXXXXXXXXXXXXXXXXXXX	Ashford		DRAWING NUMBER		232-11-1		Material	N/A	
Issue 4	XX/XX/XX	XXXXXXXXXXXXXXXXXXXX	Kent		CUSTOMER REFERENCE				Finish	N/A	
Issue 5	XX/XX/XX	XXXXXXXXXXXXXXXXXXXX	TN24 8DH						Notes	See above	
Issue 6	XX/XX/XX	XXXXXXXXXXXXXXXXXXXX	Telephone 44 (0) 233 624422								
Issue 7	XX/XX/XX	XXXXXXXXXXXXXXXXXXXX	Telefax 44 (0) 1233 624466								
Issue 8	XX/XX/XX	XXXXXXXXXXXXXXXXXXXX	E-Mail info@tts-systems.co.uk								